



Lift alarm

TSA5210

2G/GSM



Quick Guide

Rev. 5.1 UK

Overview

Figure 1: TSA5210 Front view

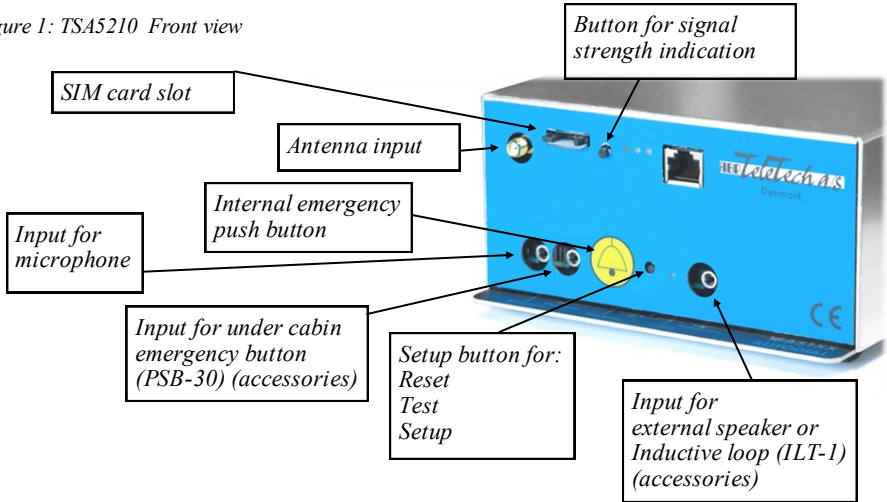


Figure 2: TSA5210 Rear view

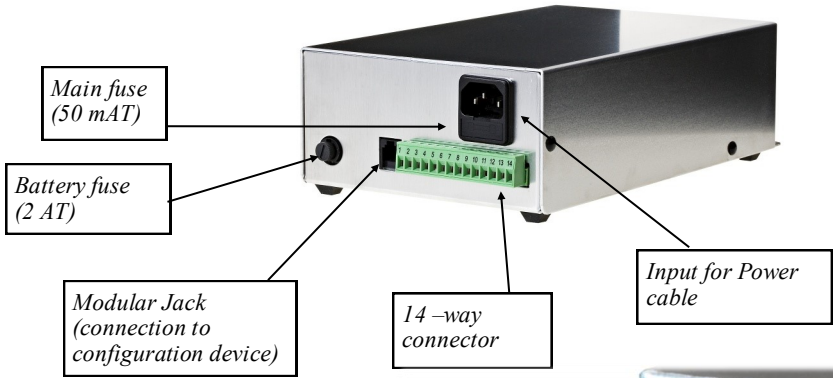
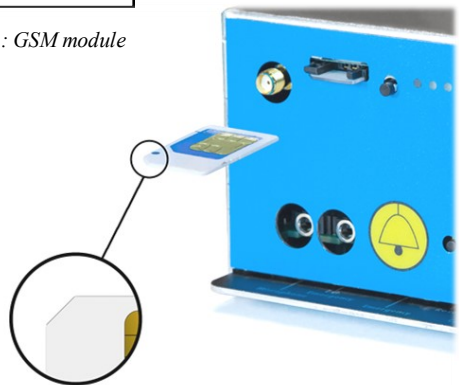


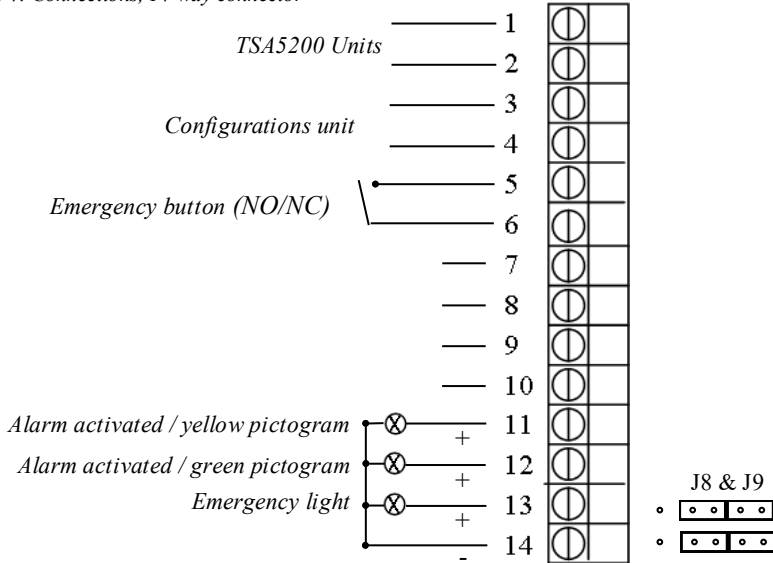
Figure 3: GSM module



Setup

1. Insert SIM card - with PIN code deactivated (see figure 3).
2. Mount antenna (see figure 1).
3. Connect the microphone to the mini jack on the front of the TSA5210 (see figure 1).
4. Connect the emergency button of the cabin to terminals 5 and 6 on the connector (see figure 4).
5. Press and hold the setup button while connecting the 230 VAC power cord (see Figure2). This sets the alarm to factory default. Await the 2G/GSM control light is constantly green.
6. Connect the configuration device (ex. A push button handset) to the modular jack (position 3 and 4 in the RJ-11 plug) or terminals 3 and 4 on the 14-way connector (see figure 2 og 4).

Figure 4: Connections, 14-way connector



For other installations, please see the *TSA5210 User Guide* at www.abp-teletech.com

Configuration table

Put the alarm in programming mode by holding down the setup button until the 3rd beep and press #

	Write:	Read:
ID code	*0<ID code>#	*0#
Emergency call 1	*1<phone number>**<e.g. protocol>#	*1#
Emergency call 2	*2<phone number>**<e.g. protocol>#	*2#
Emergency call 3	*3<phone number>**<e.g. protocol>#	*3#
Technical call	*4<phone number>**<e.g. protocol>#	*4#
Background call	*5<phone number>**<Protocol># Teletech+: <**8> ABP: <**9>/<**1>	*5#
Password	*9<password>#	*9#
Alarm delay emergency button in cabin	**1*<delay in seconds (1-99)># Default: 5	**1#
Alarm delay "In operation"	**2*<delay in minutes (0-99)># Default: 0 = off	**2#
Alarm delay "Door open"	**3*<delay in minutes (0-99)># Default: 0 = off	**3#
Alarm delay "Technical alarm"	**4*<delay in seconds (1-99)># Default: 0 = off	**4#
Alarm delay "External emergency button (PSB-30)"	**5*<delay in seconds (1-99)># Default: 0 = off	**5#
Alarm delay "emergency button on the TSA5210"	**6*<delay in seconds (1-99)># Default: 2	**6#
Activation of machine room handset	**0*152# (Timeout: 180 sec) Default: 24 = off	**0#
Sound level	***0<level># Level options 1-9 Default: 9	***0#
Reading version no.		***#

Note:

It's always a good idea to check the parameters with a readout or test call.

Remote programming: Call the alarm and dial * # when the alarm responds with 2 beeps.

For help and guidance you are always welcome to contact our service and support department at
Phone.: +45 46 300 720 or support@abp-teletech.com